

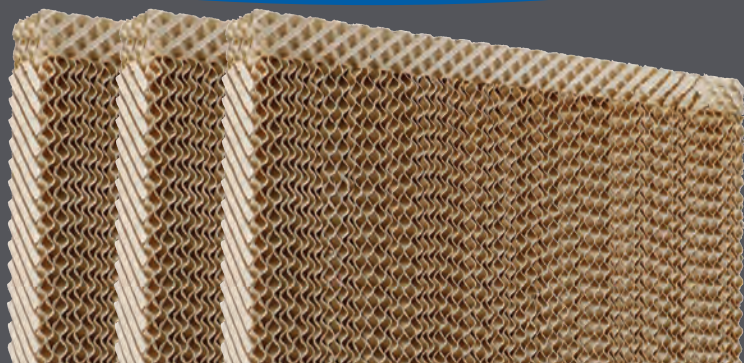


RIGID MEDIA REPLACEMENT
MCP12-PAD FOR MCP12 WINDOW COOLER

SCAN QR CODE
TO DOWNLOAD MANUAL
& VIEW SETUP VIDEOS
OR GO TO **MASTERCoolPRODUCTS.COM**



ESCANEE EL CÓDIGO QR PARA DESCARGAR EL
MANUAL Y VER LOS VIDEOS DE CONFIGURACIÓN, O
VISITE MASTERCoolPRODUCTS.COM.



MASTERCool® | DENISON, TX 75020 | 800-643-8341

MasterCool®

QUICK START

REPLACING MCP12 RIGID MEDIA

NOTE: While maintenance on evaporative coolers is minimal, it is very important to maintain proper operation and effectiveness of the cooler. Periodic inspection of the cooler's interior will reduce the potential for substandard cooling due to insufficient or uneven water distribution. If the media has blockage, excessive buildup, corrosion, breakage, or other anomalies — it is time to replace it.

UNPLUG: Turn the unit off and disconnect from electrical power.

WATER: Turn the water supply off.

REMOVE LOUVER: To access rigid media, remove the louver's seven (7) screws. Tilt the top of the louver toward you and pull the bottom of the louver up and out of the tabbed channel inside the unit. Set the louver and screws aside.

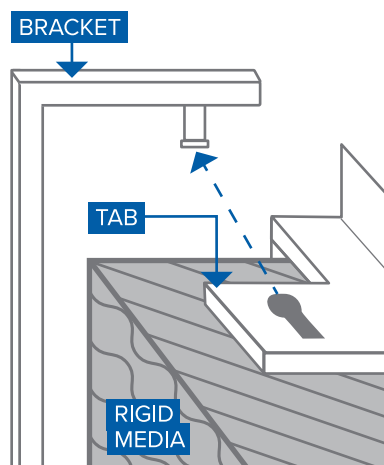
REMOVE MEDIA: To remove the media from the louver, push down on the bracket, slide, and then pull up on the bracket. This will release the bracket from the tab. Be careful not to damage the brackets, tab or media. Repeat these steps for each bracket.

REPLACE MEDIA: When placing the media inside the louver, verify that the horizontal section of the media is facing toward the top of the louver. Use the large screw tab on the top of the louver as an indicator. Next, push the bracket into the tab's hole and slide it back into position. Repeat these steps for each bracket.

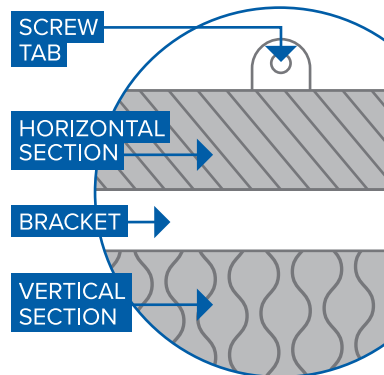
INSTALL LOUVER: Place the bottom of the louver into the tabbed channel inside the unit, then push the louver back into place. Replace the louver's seven (7) screws. Repeat these steps for each louver.

MAINTENANCE: Remove pads when cleaning them. Use a garden hose. Never use a pressure washer. Never use abrasive cleaners on or in this unit or any of its components.

REMOVE MEDIA



PLACEMENT OF MEDIA



CAUTION: Do not place your hand near the fan blades. For complete safety and setup instructions, please read the manual in its entirety.